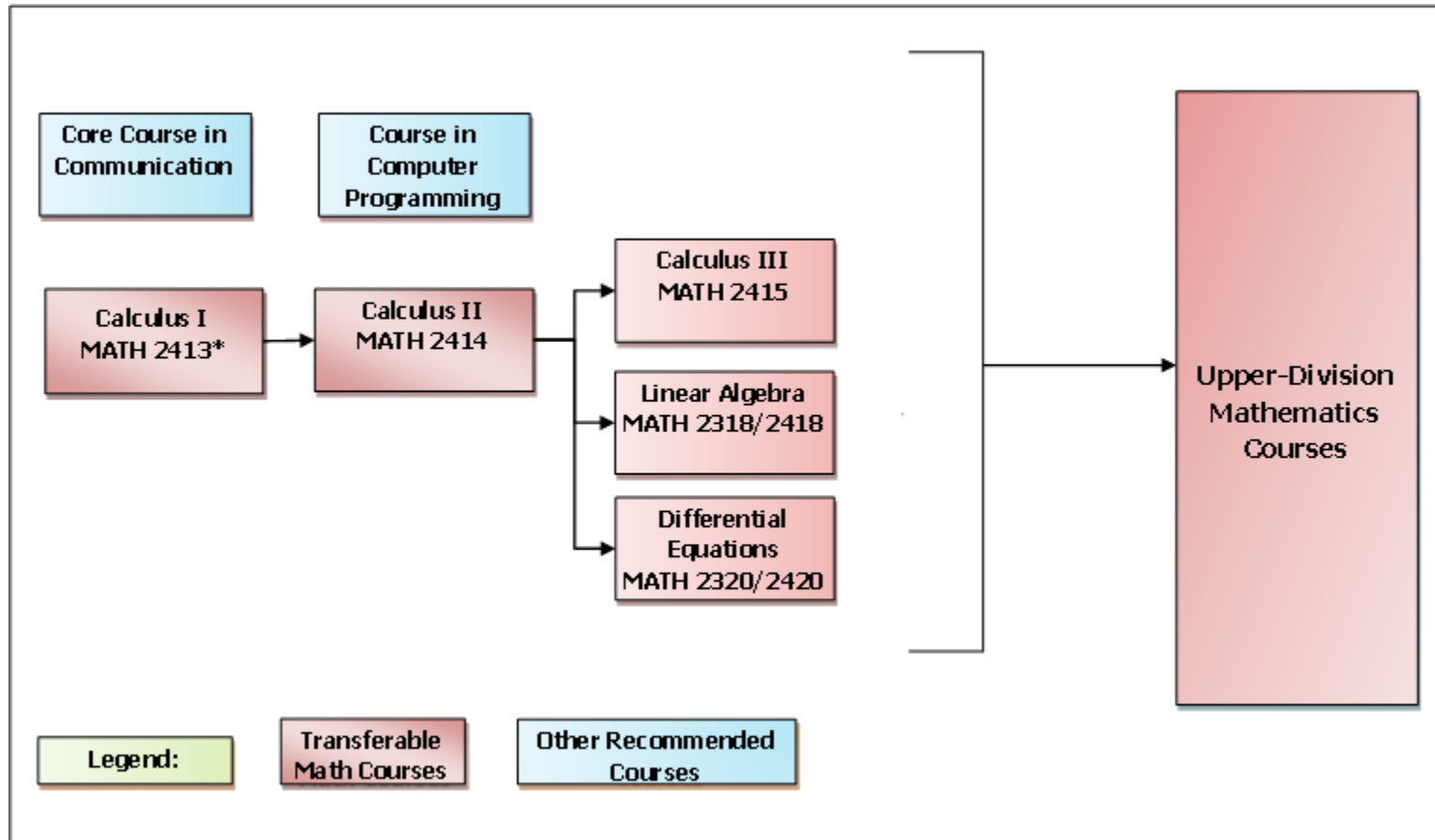


Mathematics Prerequisite Flowchart



FRESHMAN YEAR – Recommended Scheduling Sequence*

First Semester (Fall)	SCH
*MATH 2413 Calculus I	3
Computer Course	3
Core Curriculum Course	3
Core Curriculum Course	3
Core Curriculum Course	3
Total	15

Second Semester (Spring)	SCH
MATH 2424 Calculus II	4
MATH 2305 **Discrete Math	3
Core Curriculum Course	3
Core Curriculum Course	3
Core Curriculum Course	3
Total	16

SOPHOMORE YEAR – Recommended Scheduling Sequence*

First Semester (Fall)	SCH
MATH 2413 **Calculus III	4
MATH 2318 **Linear Algebra	3
Communication Course	3
Core Curriculum Course	3
Core Curriculum Course	3
Total	16

Second Semester (Spring)	SCH
MATH 2320/2420 **Differential Equations	3-4
Communication Course	3
Core Curriculum Course	3
Elective	3
Elective	3
Total	16-17

*Please see Prerequisite Flowchart for required courses if not Calculus-ready.

** Depending on the institution, these courses may or may not transfer into the mathematics program.

